



ITPC-BXXX-CP2 (ARM)

Rockchip RK3566/RK3568/RK3588 - Capacitive Touch Panel PC

FEATURES

- Support Rockchip RK3566 / RK3568 / RK3588 CPU
- LCD Screen with Multi-point Capacitive Touch (Full Bonding Process)
- Built-in Mini PCIe Slot (Dual LAN version)
- 2 x COM, 4 x TTL/RS232 COM Optional, 1 x RS485
- Support Embedded, Desktop, Wall Mounted, VESA Standard
- Full Flat Front Panel, Front Panel IP65 Protection
- Support Android 11/12, Ubuntu, OpenHarmony

SPECIFICATION

CPU OPTIONS

| CPU | Architecture | GPU | NPU |
|--------|---------------------------------------|--------------|--------|
| RK3566 | Quad-core Cortex-A55 @1.8GHz | Mali-G52 2EE | 1 TOPS |
| RK3568 | Quad-core Cortex-A55 @2.0GHz | Mali-G52 2EE | 1 TOPS |
| RK3588 | 4x Cortex-A76 + 4x Cortex-A55 @2.4GHz | Mali-G610 | 6 TOPS |

SYSTEM

| | |
|---------------|---|
| Memory | Onboard 2GB / 4GB / 8GB |
| Storage | Onboard 16GB / 32GB / 64GB / 128GB |
| Wireless | Onboard WiFi & Bluetooth |
| Expansion | 1 x TF Card (Max 256GB), 1 x Mini PCIe (Dual LAN version) |
| I/O Ports | 1 x Power Button, 1 x DC-IN, 1 x HDMI |
| USB | 1 x USB 3.0, 1 x USB/OTG |
| LAN | 1 x or 2 x 1000M Gigabit LAN (model dependent) |
| Audio | 1 x Audio & Speaker (3.5mm) |
| COM | 2 x COM (RS-232/TTL), expandable to 4 x COM |
| Speaker | 2W Built-in Speaker |
| Power | DC 9-15V Input |
| Chassis | Aluminum + Stainless Steel, Gray (customizable) |
| OS Support | Android 11/12, Ubuntu 18.04/20.04, OpenHarmony V3.2/V4.0 |
| Certification | CE, CCC, FCC Class A, RoHS |



LCD PANEL SPECIFICATIONS

| Model | B121-CP2 | B133-CP2 | B150-CP2 | B156-CP2 | B170-CP2 | B185-CP2 | B215-CP2 |
|------------|-----------------------|-----------------------|-----------------------|-----------------------|-----------------------|-----------------------|-----------------------|
| Size | 12.1" | 13.3" | 15" | 15.6" | 17" | 18.5" | 21.5" |
| Ratio | 4:3 | 16:9 | 4:3 | 16:9 | 5:4 | 16:9 | 16:9 |
| Resolution | 1024x768 | 1920x1080 | 1024x768 | 1920x1080 | 1280x1024 | 1920x1080 | 1920x1080 |
| Brightness | 500 cd/m ² | 300 cd/m ² | 350 cd/m ² | 250 cd/m ² | 300 cd/m ² | 350 cd/m ² | 250 cd/m ² |
| Touch | Capacitive | Capacitive | Capacitive | Capacitive | Capacitive | Capacitive | Capacitive |

MECHANISM

| Model | B121-CP2 | B133-CP2 | B150-CP2 | B156-CP2 | B170-CP2 | B185-CP2 | B215-CP2 |
|------------|------------|------------|------------|------------|------------|------------|------------|
| Dimensions | 298x237x48 | 345x218x48 | 346x271x48 | 384x234x48 | 377x312x48 | 454x276x48 | 518x310x48 |
| Embedded | 292x231 R8 | 339x212 R8 | 340x265 R8 | 378x228 R8 | 371x306 R8 | 448x270 R8 | 512x304 R8 |
| Weight | 2.2 kg | 2.7 kg | 2.7 kg | 3.5 kg | 3.7 kg | 3.9 kg | 4.5 kg |

ENVIRONMENT

| | |
|-----------------------|---|
| Operating Temperature | -10°C ~ +60°C (Surface airflow) |
| Storage Temperature | -20°C ~ +70°C |
| Relative Humidity | 5% ~ 95% (non-condensing) |
| Application | Industrial Automation, MES, Logistics, Warehousing, E-Education |
| Warranty | 1 Year |

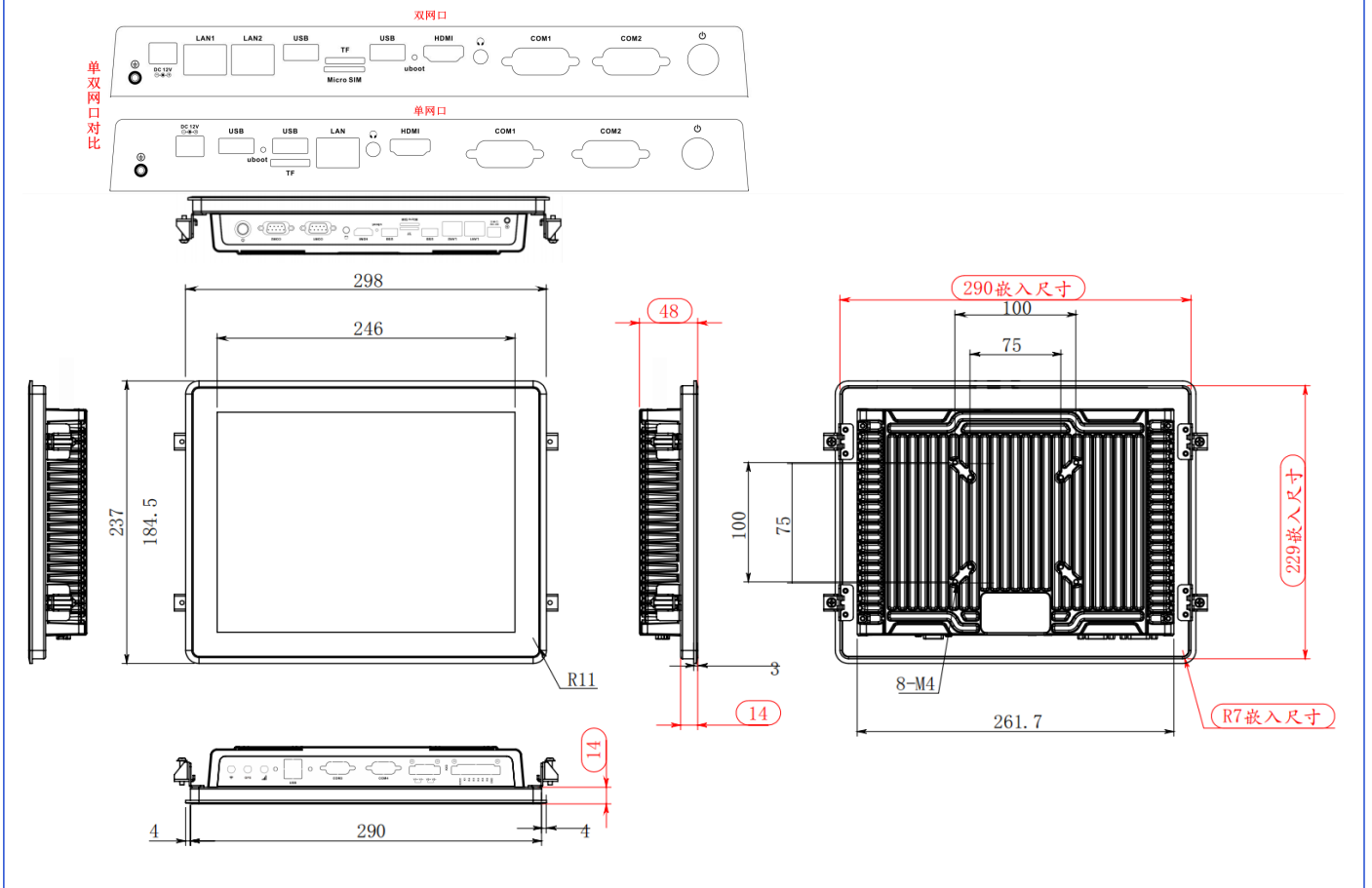
CONFIGURATION OPTIONS

| Configuration | Standard I/O | OS Support |
|-------------------|---|--|
| RK3566 Single LAN | LAN x1, USB x2, COM x2, DC-IN, HDMI, Audio, WiFi, TF | Android 11, Ubuntu 18.04 |
| RK3568 Single LAN | LAN x1, USB x2, COM x2, DC-IN, HDMI, Audio, WiFi, TF | Android 11, Ubuntu 20.04, OpenHarmony V3.2 |
| RK3568 Dual LAN | LAN x2, USB x2, COM x2, DC-IN, HDMI, Audio, WiFi, TF, SIM | Android 11, Ubuntu 20.04, OpenHarmony V4.0 |
| RK3588 Dual LAN | LAN x2, USB x2, COM x2, DC-IN, HDMI, Audio, WiFi, TF, SIM | Android 12, Ubuntu 20.04 |

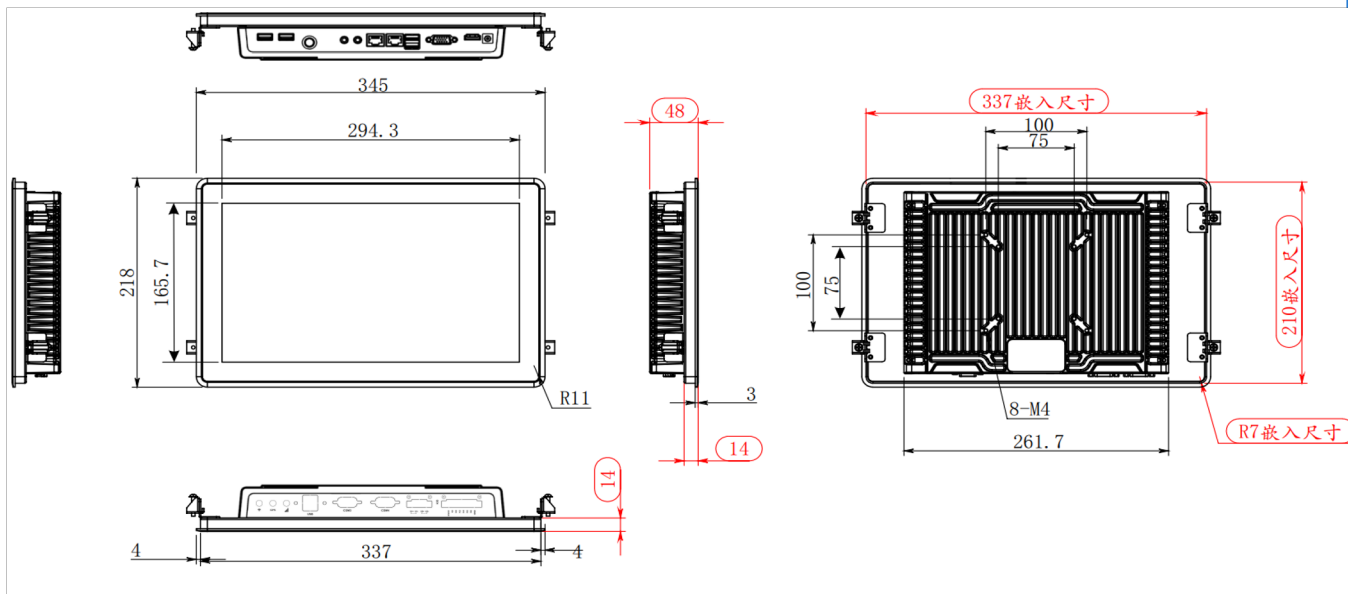
ACCESSORY

| Part Name | Quantity | Specification |
|-------------------------|----------|-------------------------------|
| Power Supply | 1 | 12V 3.3A / 12V 5A (optional) |
| Power Cable | 1 | CN, US, UK, EU etc. |
| WiFi Antenna | 1 | 2.4G/5G |
| Embedded Mounting Clips | 4 | Installation clips and screws |
| Desktop/Wall Mount | 1 | Optional |

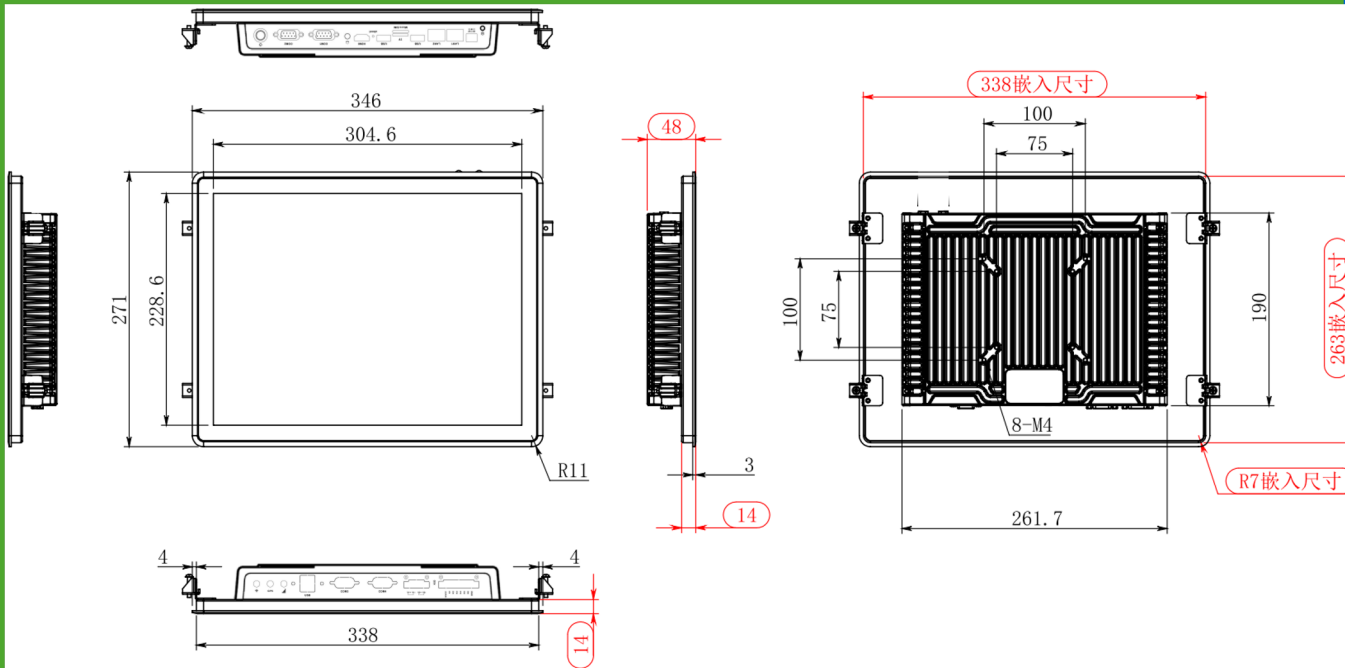
ITPC-B121-CP2 (ARM) Product Drawing



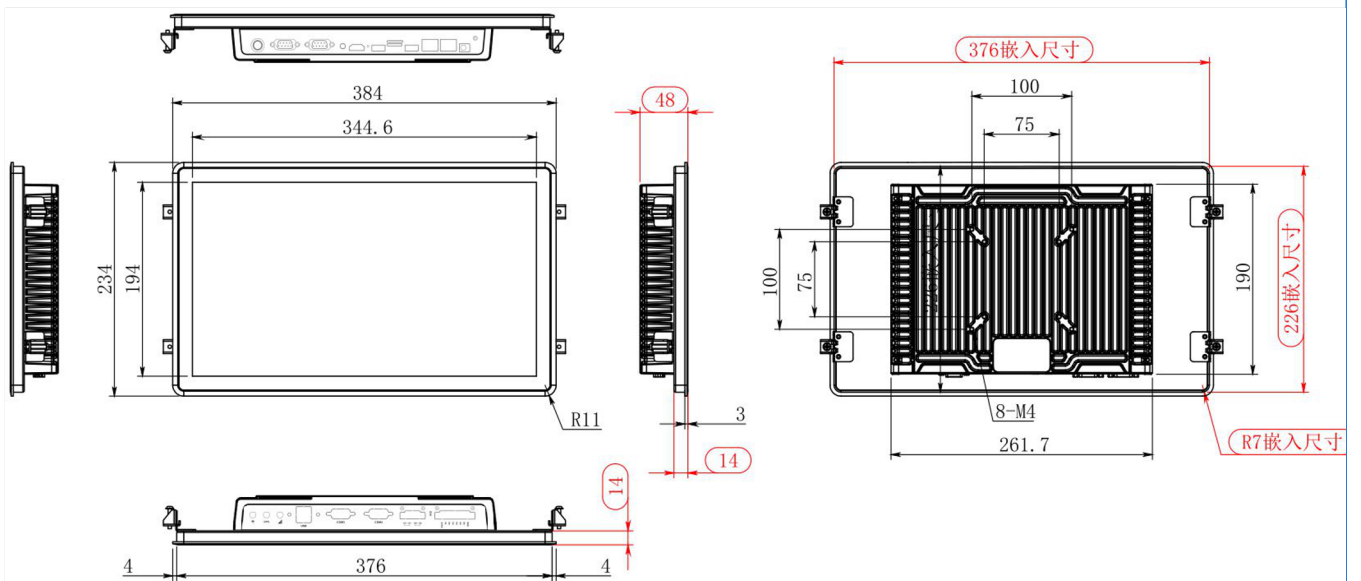
ITPC-B133-CP2 (ARM) Drawing



IIPC-B150-CP2 (ARM) Drawing



IIPC-B156-CP (ARM) Drawing



ITPC-B215-CP2 (ARM) Drawing

